



# DB360

DOUBLE BUCK  
ROTARY PRESS



[WWW.PONY-USA.COM](http://WWW.PONY-USA.COM)



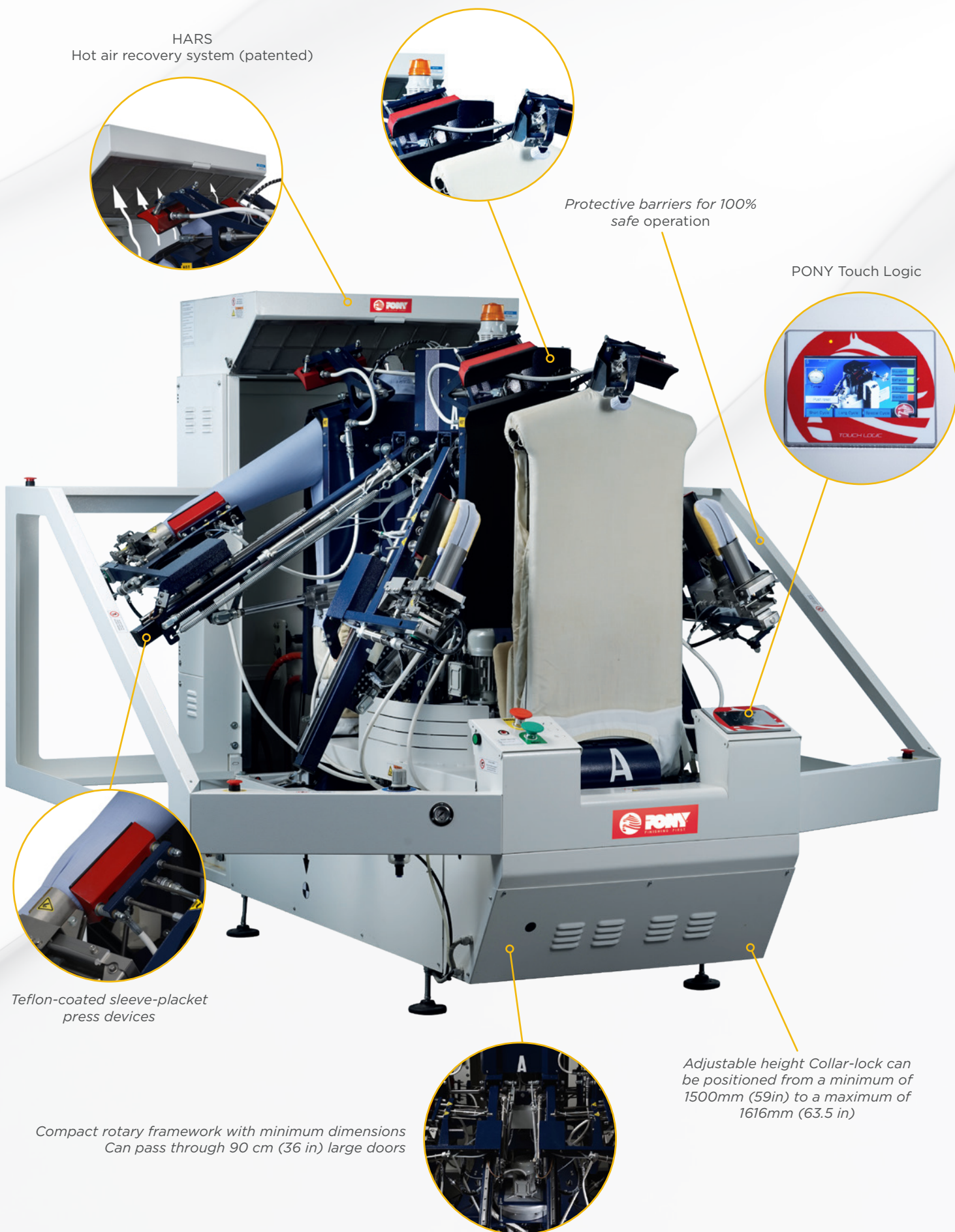
**PONY** USA  
FINISHING FIRST

*Teflon-coated  
shoulder pressing device  
for each dummy*

HARS  
Hot air recovery system (patented)

*Protective barriers for 100%  
safe operation*

PONY Touch Logic



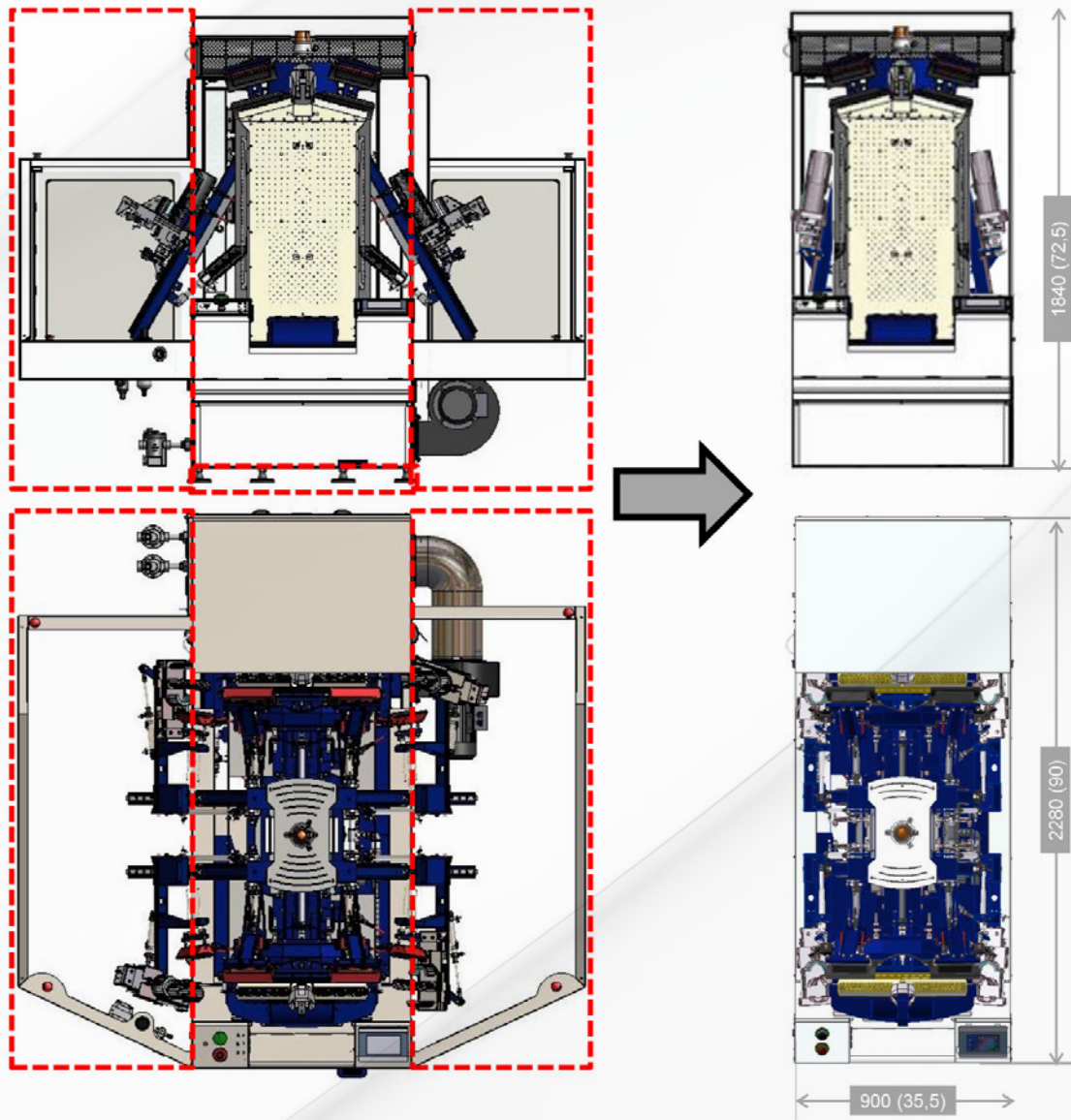
*Teflon-coated sleeve-placket  
press devices*


*Compact rotary framework with minimum dimensions  
Can pass through 90 cm (36 in) large doors*

*Adjustable height Collar-lock can  
be positioned from a minimum of  
1500mm (59in) to a maximum of  
1616mm (63.5 in)*

• Dimensions mm (inch)

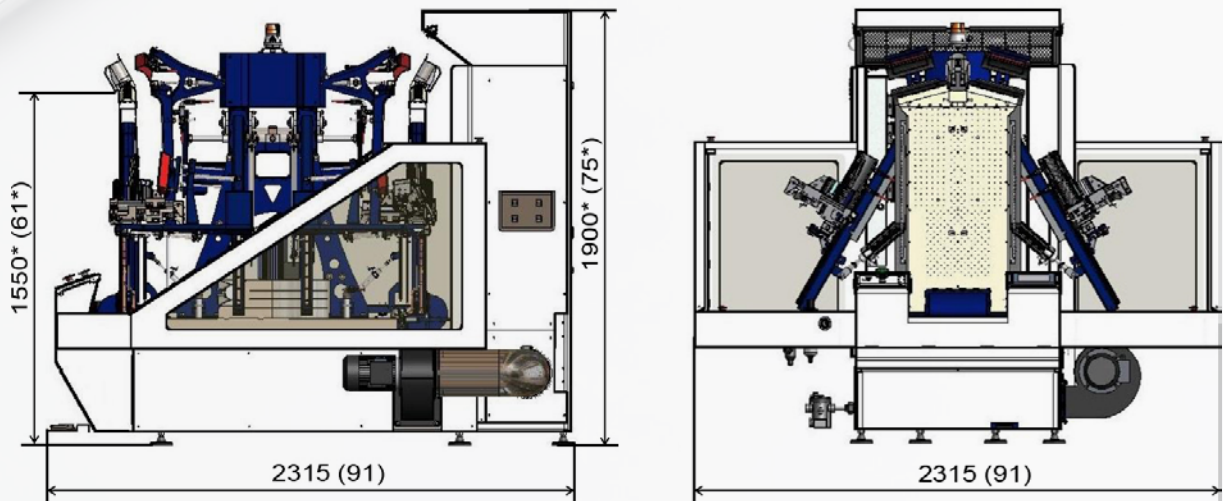
### MINIMUM PASSAGE DIMENSIONS



 = PARTI REMOVIBILI / REMOVABLE PARTS

• Dimensions mm (inch)

### MAXIMUM DIMENSIONS IN OPERATION



**DB360** is Pony's double-body rotary shirt press, conceived and designed to obtain maximum productivity, with incomparable finishing quality and no increase in costs. The three Teflon-coated finishing bucks, two of which rotate thanks to an electric engine with inverter, and the innovative sleeve-stretching system "Pony Sleeve Technology" ensure top accuracy even on the most difficult garments to finish. The dressing of garments is easy and fast thanks to the two dummies with integrated vacuum, each fitted with a shoulder press device that activates during rotation. Using the DB360 is easy and does not require long training periods. As a matter of fact, even a non-skilled operator can obtain impeccable results and reach a productivity of up to 120 shirts per hour, combined with a collar and cuff press with dedicated operator. With Pony Touch Technology it is possible to use preset work programmes or modify them and save them into customised cycles, as well as other important functions.

Just like all shirt finishers, the DB360 comes with the four PONY technologies:

- **PONY SLEEVE TECHNOLOGY:** special rounded and rotary clamps, with pneumatic height adjustment and Teflon-coated surface, assembled on the innovative "reverse V-shaped" framework of the sleeve-stretching arms, ensuring stability and precision of movement, which translates into an impeccable ironing that does not require touch-ups.
- **PONY HARS TECHNOLOGY:** the patented PONY system for the recovery of hot air produced by the machine. It allows a significant reduction in drying times, lowers consumptions, and improves productivity and temperature inside the work environment.
- **PONY TOUCH TECHNOLOGY:** colour touch screen HMI for total machine control. Pony Touch Logic allows you to easily customise and save operational programmes, check productivity, access diagnostic features and maintenance alerts, perform auto-tests and software updates. If connected to the network via an Ethernet port, all operations can also be performed remotely.
- **PONY NO-SHINE TECHNOLOGY:** all the pressing parts that directly touch the fabric are Teflon-coated to prevent shiny marks on dark fabrics.

TECHNICAL DATA	DB 360
REQUIRED POWER	220/3/60Hz 7A
VACUUM MOTOR	0,37 Kw
FAN MOTOR	1,5 Kw
STEAM INLET	1/2"
CONDENSATE RETURN OUTLET	n°3 x 1/2"
STEAM WORKING PRESSURE	70 ÷ 100 psi
STEAM CONSUMPTION	100 ÷ 120 lbs/h
AIR INLET	1/2"
AIR WORKING PRESSURE	100 psi
AIR CONSUMPTION	2,40 cubic feet/cycle
NET WEIGHT	2.650 lbs
GROSS WEIGHT	2.870 lbs
PACKAGE DIMENSIONS (L X W X H)	64 x 91 x 79 in
VOLUME	260 cubic feet

